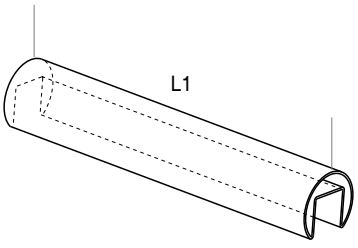
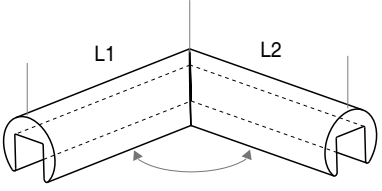
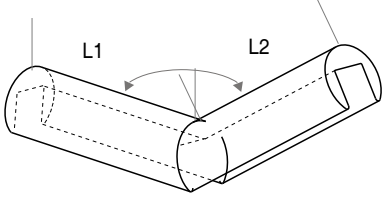
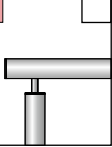
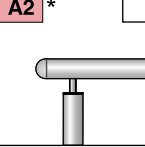
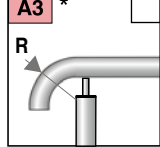
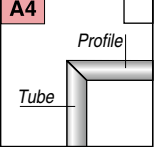
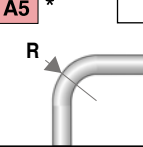


Handlauf Muster / handrail - sample

Alle Modelle sind international gesetzlich geschützt.
All models are protected by international law.

Projekt / project:	Bestellnr. / item no.:	Datum / date:
Handlauf Verlauf / handrail course:		
<div style="display: flex; justify-content: space-between;"> <div style="width: 45%;"> <p>gerade / straight <input checked="" type="checkbox"/></p>  </div> <div style="width: 45%;"> <p>gerade / straight <input checked="" type="checkbox"/></p> </div> </div> <div style="display: flex; justify-content: space-between; margin-top: 20px;"> <div style="width: 45%;"> <p>Gehrung horizontal / miter horizontal Winkel / angle: ...90...°</p> </div> <div style="width: 45%;">  </div> </div> <div style="display: flex; justify-content: space-between; margin-top: 20px;"> <div style="width: 45%;"> <p>Gehrung vertikal / miter vertical Winkel / angle: ...150...°</p> </div> <div style="width: 45%;">  </div> </div>	<p>Handlaufleuchte / handrail luminaire</p> <p>U-Profil Edelstahl V2A / U-profile stainless steel L304 :</p> <p> <input type="checkbox"/> U42 (Ø42 mm) <input type="checkbox"/> U48 <input type="checkbox"/> U60 <input type="checkbox"/> U40x40 <input type="checkbox"/> U60x40 </p> <p>Oberfläche / surface:</p> <p> glasperlengestrahlt / glass-bead blasted <input type="checkbox"/> geschliffen Korn240 / polished grain240 <input type="checkbox"/> pulverbeschichtet / powder coated RAL <input type="checkbox"/> DB <input type="checkbox"/> </p> <p>Abstrahlwinkel / beam angle:</p> <p> <input type="checkbox"/> symmetrisch <input type="checkbox"/> asymmetrisch / asymmetrical </p> <p>Schutzabdeckung / protection cover :</p> <p>PC Glas: transparent <input type="checkbox"/> leicht mattiert/slightly frosted <input type="checkbox"/></p> <p>Technik / technology: Schutzart / protection class : IP54</p> <p>Lichttechnik / light technique:</p> <p>Lichtfarbe / colour temperature (CCT):</p> <p>LED Schutzart / LED protection class : IP65 <input type="checkbox"/> IP68 <input type="checkbox"/></p> <p>Weitere / more :</p> <p>Details nach Wahl / details on request:</p>	
Handlauf-Enden / handrail ends:		
<div style="display: flex; justify-content: space-around;"> <div style="text-align: center;"> <p>A1 <input type="checkbox"/></p>  </div> <div style="text-align: center;"> <p>A2 * <input type="checkbox"/></p>  </div> <div style="text-align: center;"> <p>A3 * <input type="checkbox"/></p>  </div> <div style="text-align: center;"> <p>A4 <input type="checkbox"/></p>  </div> <div style="text-align: center;"> <p>A5 * <input type="checkbox"/></p>  </div> </div> <p style="text-align: center; margin-top: 10px;">*nur für Rundprofil / only for round-profile </p>		