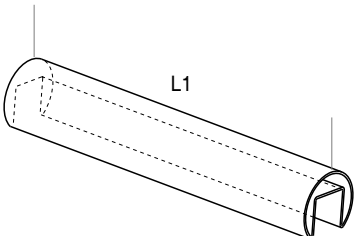
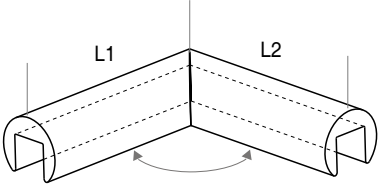
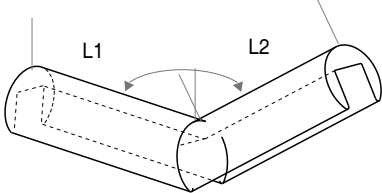
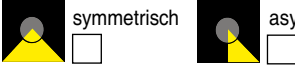
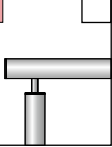
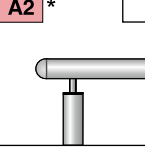
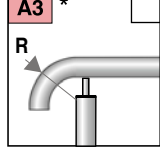
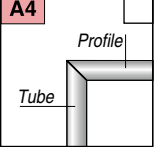
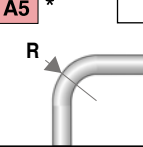


## Handlauf Muster / handrail - sample

Alle Modelle sind international gesetzlich geschützt.  
All models are protected by international law.

Projekt / project:	Bestellnr. / item no.:	Datum / date:
<b>Handlauf Verlauf / handrail course:</b>		
<div style="display: flex; justify-content: space-between;"> <div style="width: 45%;"> <p>gerade / straight <input checked="" type="checkbox"/></p>  </div> <div style="width: 45%;"> <p>Handlaufleuchte / handrail luminaire</p> <p>U-Profil Edelstahl V2A / U-profile stainless steel L304 :</p> <p> <input type="checkbox"/> U42 (Ø42 mm)    <input type="checkbox"/> U48    <input type="checkbox"/> U60  <input type="checkbox"/> U40x40    <input type="checkbox"/> U60x40                 </p> </div> </div> <div style="display: flex; justify-content: space-between; margin-top: 20px;"> <div style="width: 45%;"> <p>Gehrung horizontal / miter horizontal Winkel / angle: ...90...°</p> <p><input type="checkbox"/></p>  </div> <div style="width: 45%;"> <p><b>Oberfläche / surface:</b></p> <p>glasperlengestrahlt / glass-bead blasted <input type="checkbox"/></p> <p>geschliffen Korn240 / polished grain240 <input type="checkbox"/></p> <p>pulverbeschichtet / powder coated RAL <input type="checkbox"/> DB <input type="checkbox"/> .....</p> </div> </div> <div style="display: flex; justify-content: space-between; margin-top: 20px;"> <div style="width: 45%;"> <p>Gehrung vertikal / miter vertical Winkel / angle: ...150...°</p> <p><input type="checkbox"/></p>  </div> <div style="width: 45%;"> <p><b>Abstrahlwinkel / beam angle:</b></p> <p> <input type="checkbox"/> symmetrisch    <input type="checkbox"/> asymmetrisch / asymmetrical   </p> </div> </div> <div style="margin-top: 20px;"> <p><b>Schutzabdeckung / protection cover:</b></p> <p>PC Glas: transparent <input type="checkbox"/> leicht mattiert/slightly frosted <input type="checkbox"/></p> <p><b>Technik / technology:</b> Schutzart / protection class : IP54</p> <p><b>Lichttechnik / light technique:</b></p> <p>Lichtfarbe / colour temperature (CCT): .....</p> <p>LED Schutzart / LED protection class : IP65 <input type="checkbox"/> IP68 <input type="checkbox"/></p> <p>Weitere / more : .....</p> <p><b>Details nach Wahl / details on request:</b></p> </div>		
<b>Handlauf-Enden / handrail ends:</b>		
<div style="display: flex; justify-content: space-around;"> <div style="text-align: center;"> <p><b>A1</b> <input type="checkbox"/></p>  </div> <div style="text-align: center;"> <p><b>A2 *</b> <input type="checkbox"/></p>  </div> <div style="text-align: center;"> <p><b>A3 *</b> <input type="checkbox"/></p>  </div> <div style="text-align: center;"> <p><b>A4</b> <input type="checkbox"/></p>  </div> <div style="text-align: center;"> <p><b>A5 *</b> <input type="checkbox"/></p>  </div> </div> <p style="text-align: center; margin-top: 5px;">*nur für Rundprofil / only for round-profile </p>		